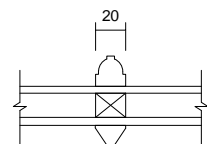
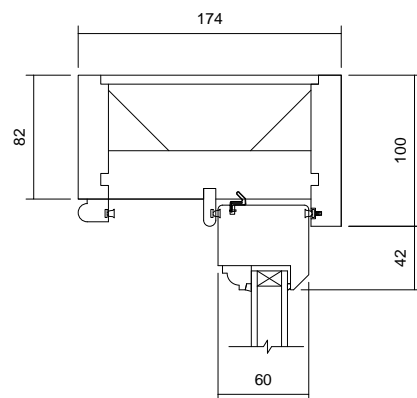


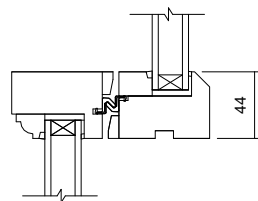
03 Jamb Detail
1 : 5



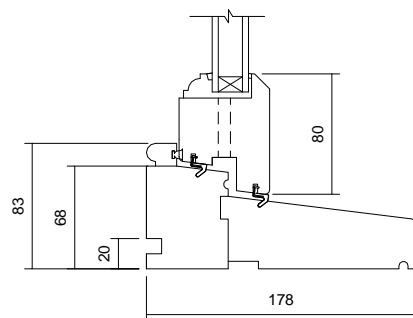
04 Glazing Bar Detail
1 : 5



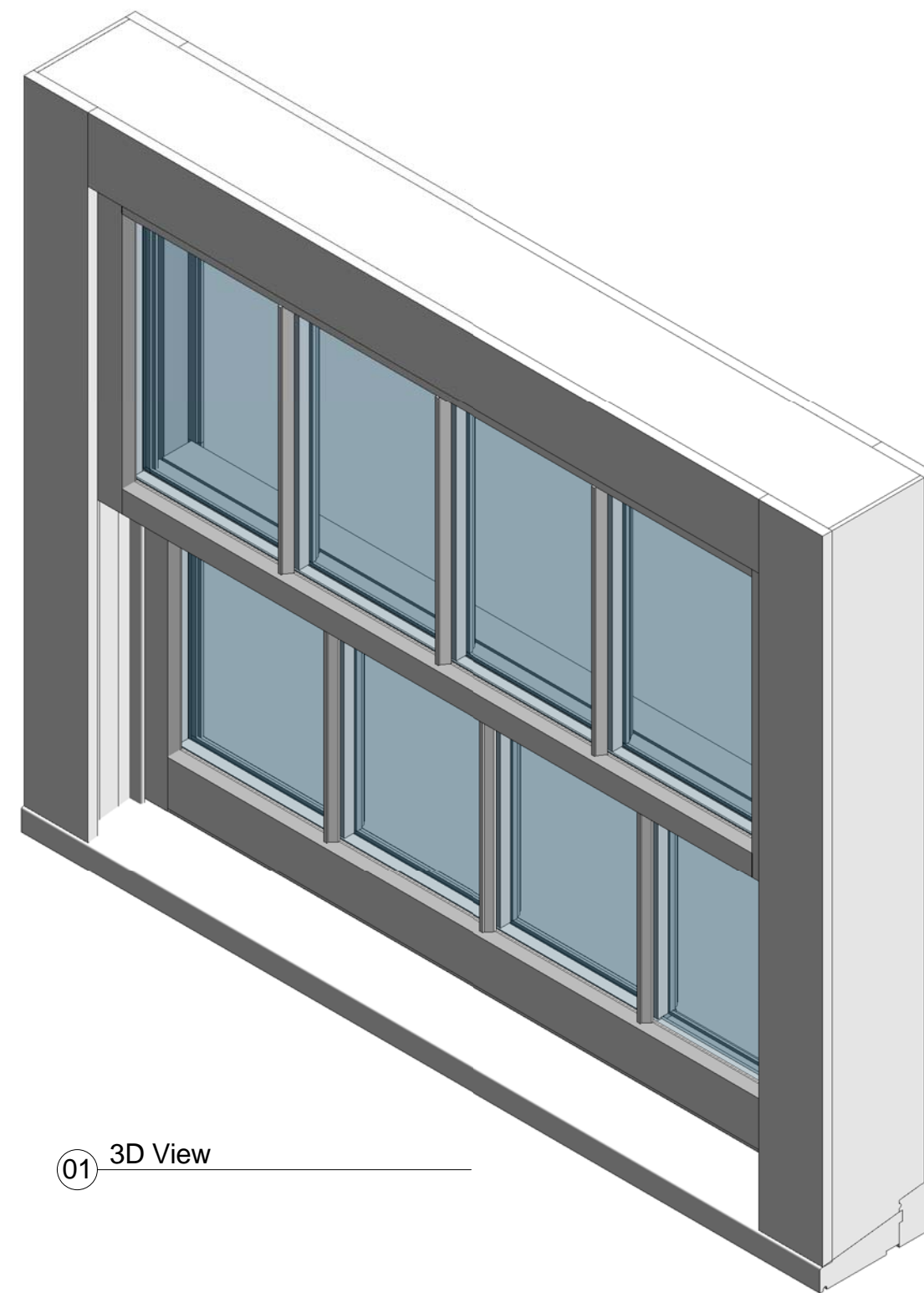
05 Head Detail
1 : 5



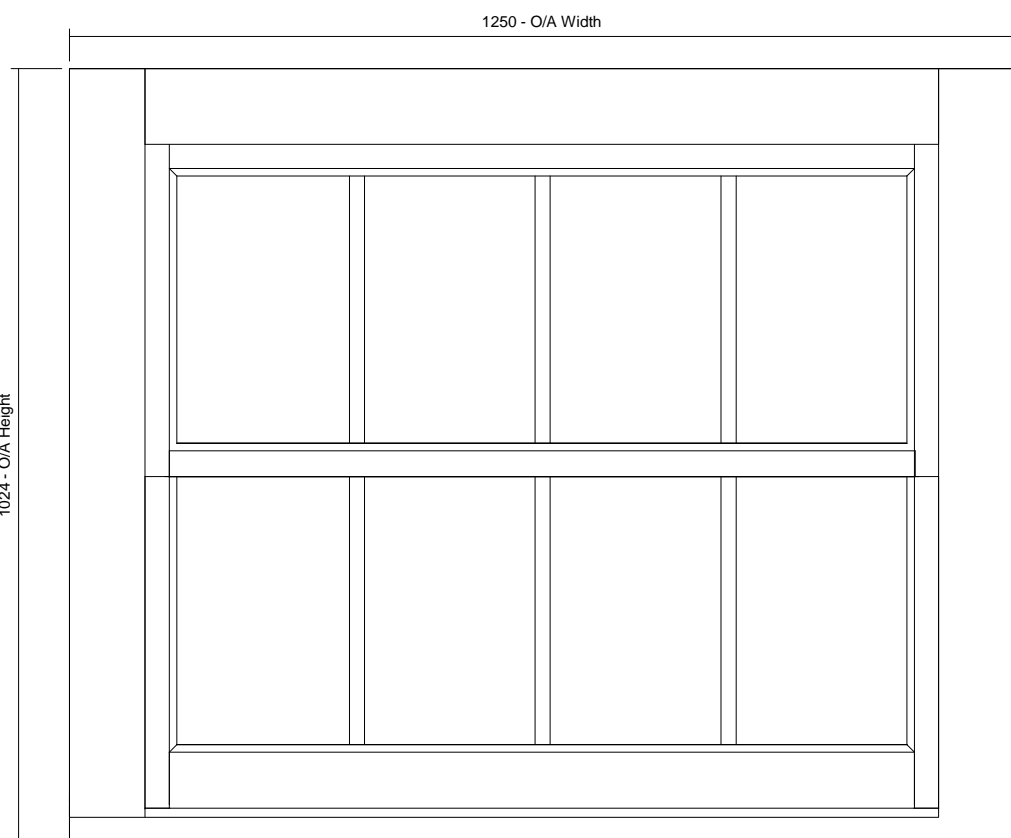
06 Meeting Rail Detail
1 : 5



07 Cill Detail
1 : 5



01 3D View



02 Front View
1 : 10

Window Schedule

Height	Width
--------	-------

1024	1250
------	------

NOTE! ELEVATION DRAWINGS VIEWED EXTERNALLY

Drawing Number B1/44V		Drawn By DH	
Scale 1:5, 1:7 & 1:10 @ A4	Revision	Date 26/09/16	
Customer			
Project Box Sash 1024 x 1250			
T 01277 353857 www.lomaxwood.co.uk		© COPYRIGHT 2016 LOMAX-WOOD. ALL RIGHTS RESERVED	

