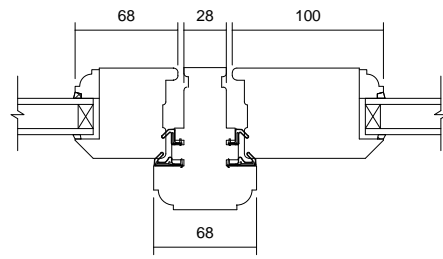
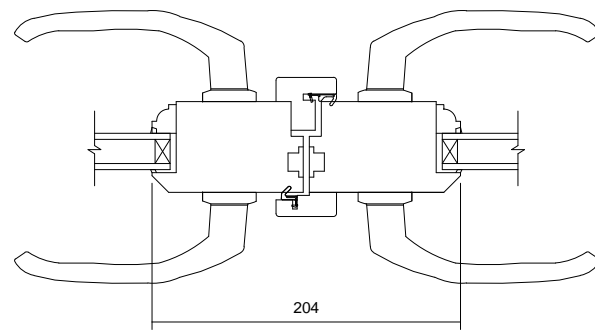


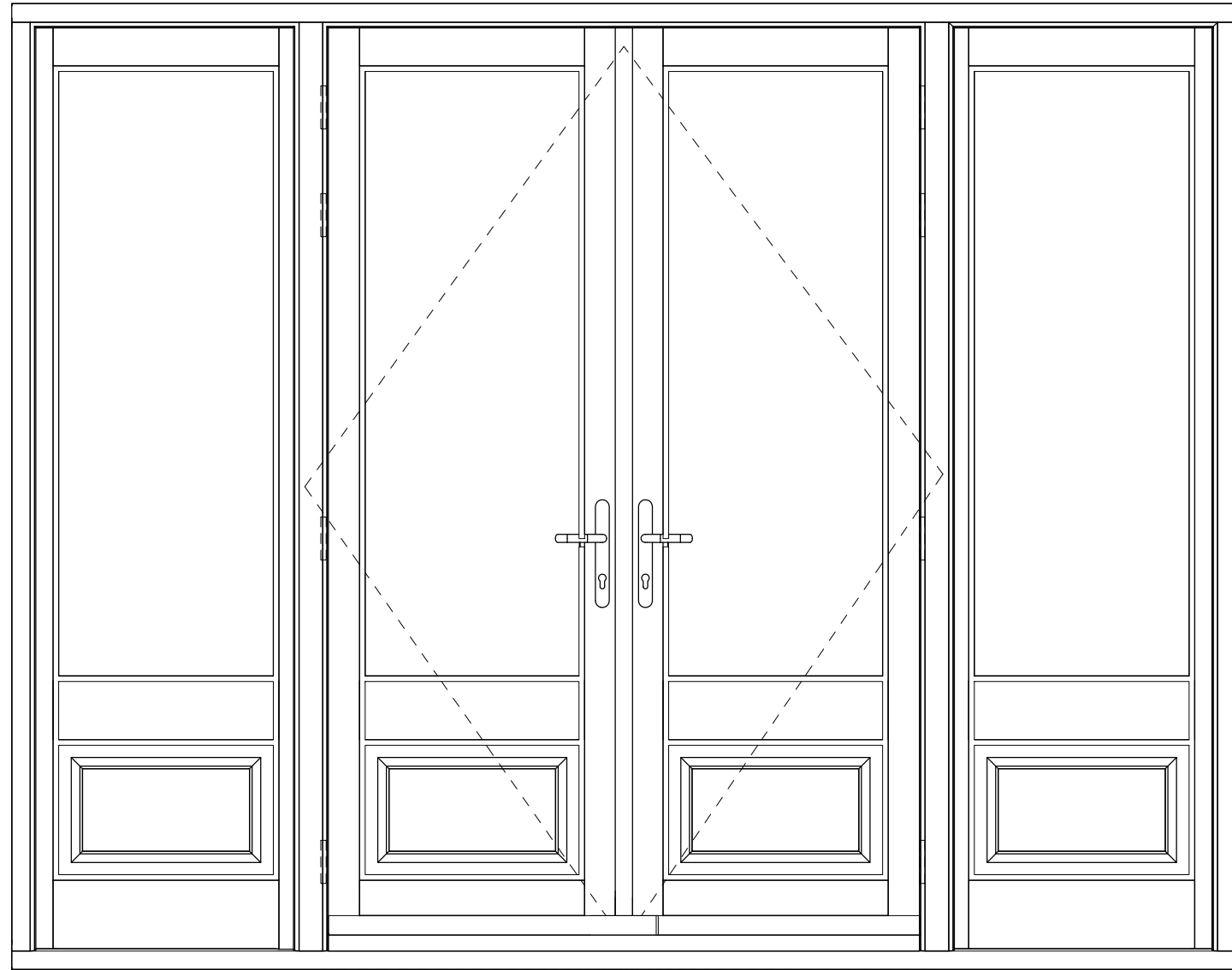
03 Jamb Detail  
1:5



04 Mullion Detail  
1:5

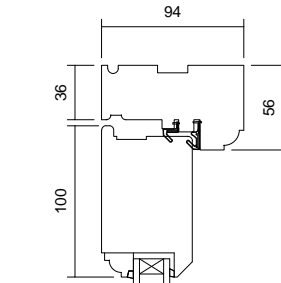


05 Meeting Stile  
1:5

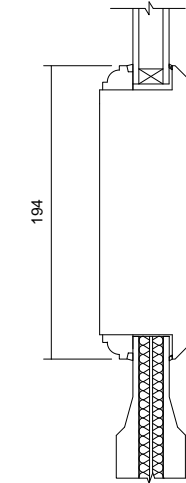


02 Elevation View  
1:15

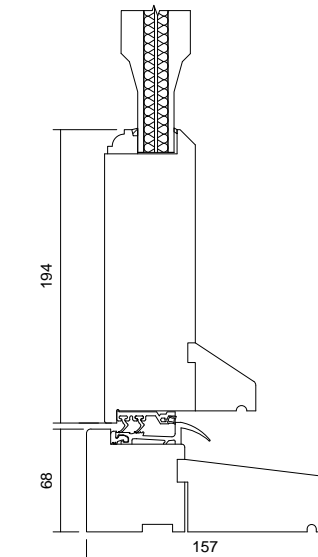
Schedule	
Height	Width
2240	2840



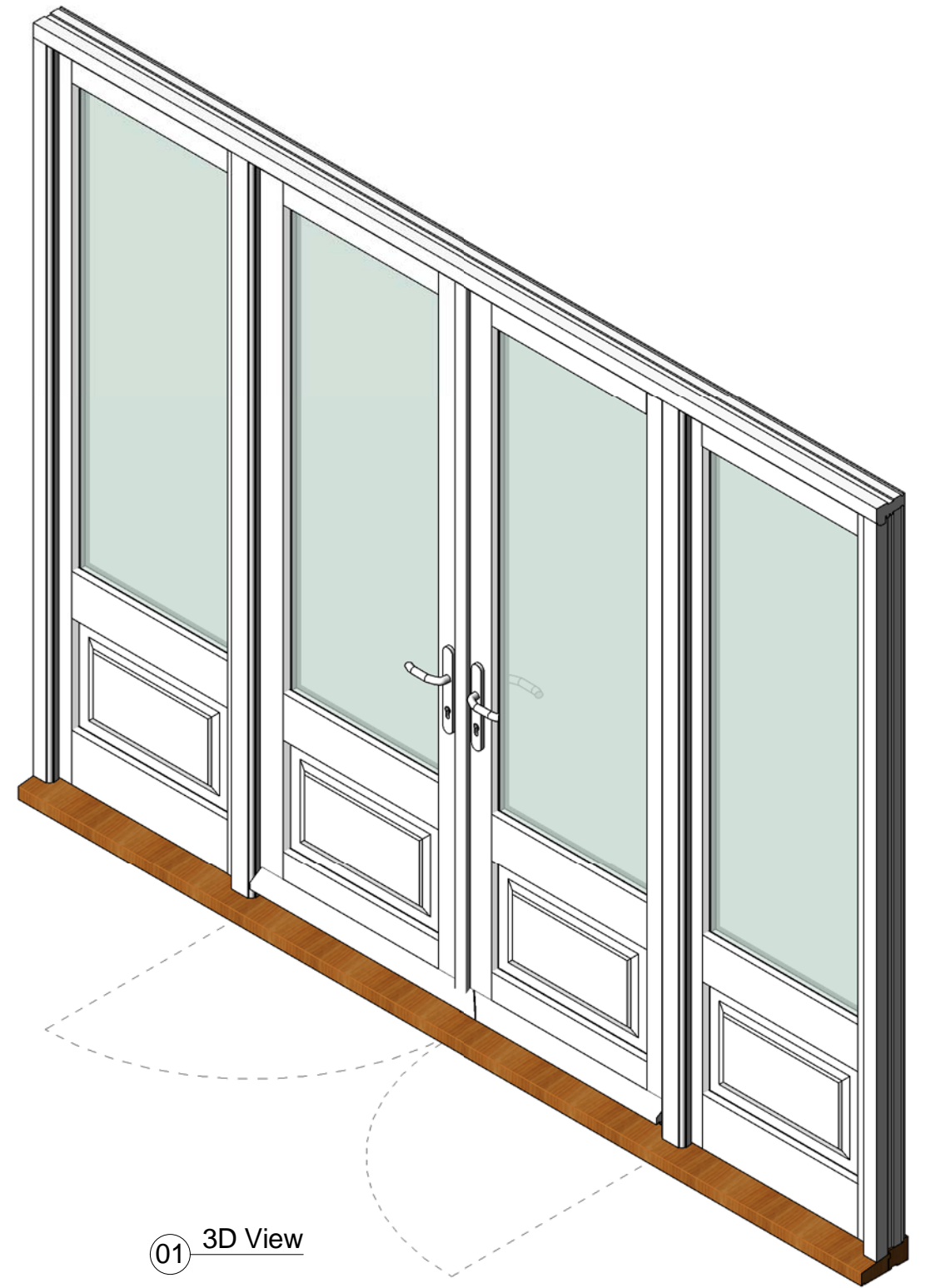
06 Head Detail  
1:5



07 Mid Rail Detail  
1:5




08 Threshold Detail  
1:5



01 3D View

NOTE! ELEVATION DRAWINGS VIEWED EXTERNALLY

 <p>Made-to-order timber windows and doors</p>	Drawing Number FDIN11-S		Drawn By DH
	Scale 1:5 & 1:11 @ A4	Revision	Date 23/09/16
	Customer		
	Project Open Inward French Doorset		
T 01277 353857 <a href="http://www.lomaxwood.co.uk">www.lomaxwood.co.uk</a> © COPYRIGHT 2016 LOMAX-WOOD. ALL RIGHTS RESERVED			