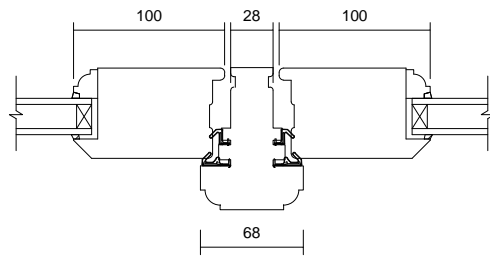
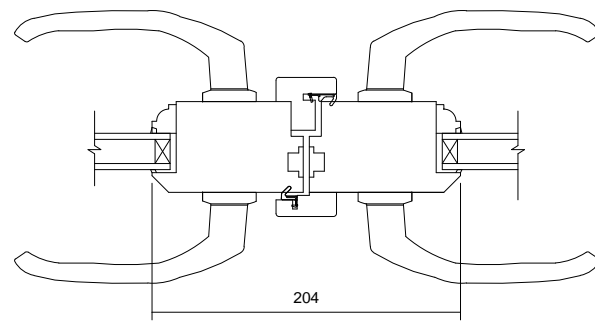


03 Jamb Detail
1 : 5



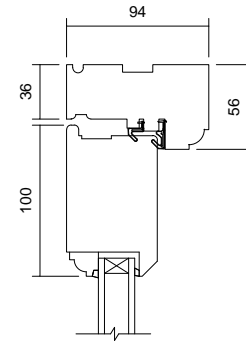
04 Mullion Detail
1 : 5



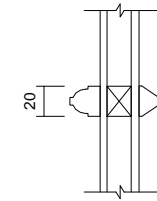
05 Meeting Stile
1 : 5



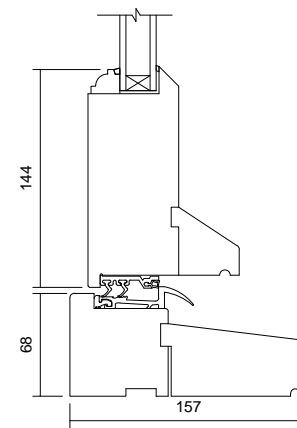
01 3D View



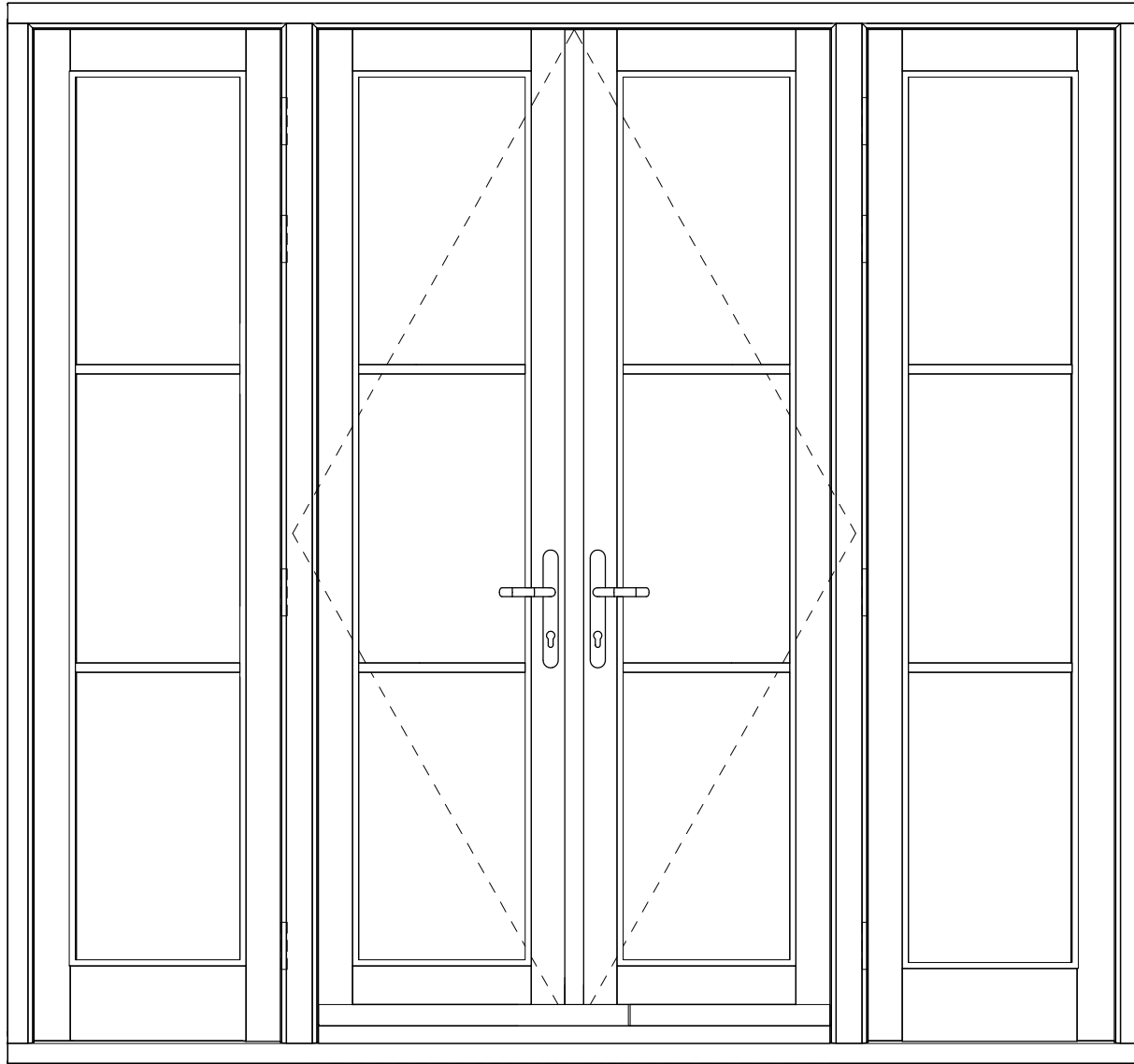
06 Head Detail
1 : 5



07 Glazing Bar Detail
1 : 5



08 Threshold Detail
1 : 5



02 Elevation View
1 : 15

Schedule	
Height	Width
2240	2840

NOTE! ELEVATION DRAWINGS VIEWED EXTERNALLY

 <p>Made-to-order timber windows and doors</p>	Drawing Number FDIN13-13S		Drawn By DH
	Scale 1:5 & 1:11 @ A4	Revision	Date 23/09/16
	Customer		
	Project Open Inward French Doorset		
T 01277 353857 www.lomaxwood.co.uk		© COPYRIGHT 2016 LOMAX-WOOD. ALL RIGHTS RESERVED	