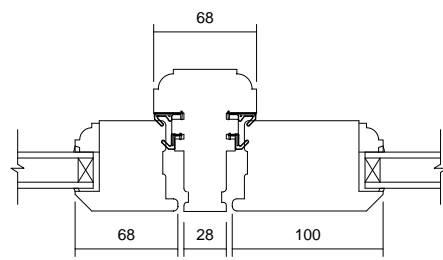
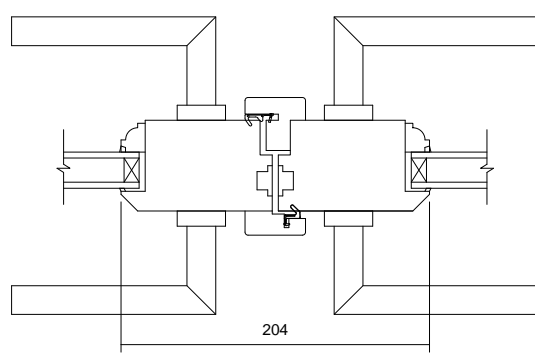


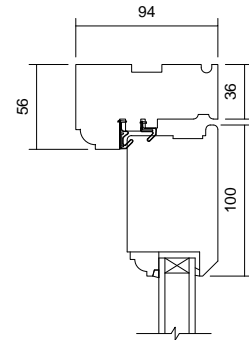
03 Jamb Detail  
1 : 5



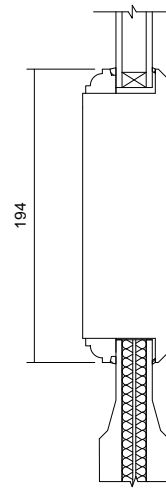
04 Mullion Detail  
1 : 5



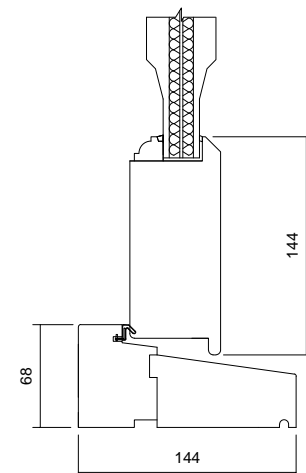
05 Meeting Stile  
1 : 5



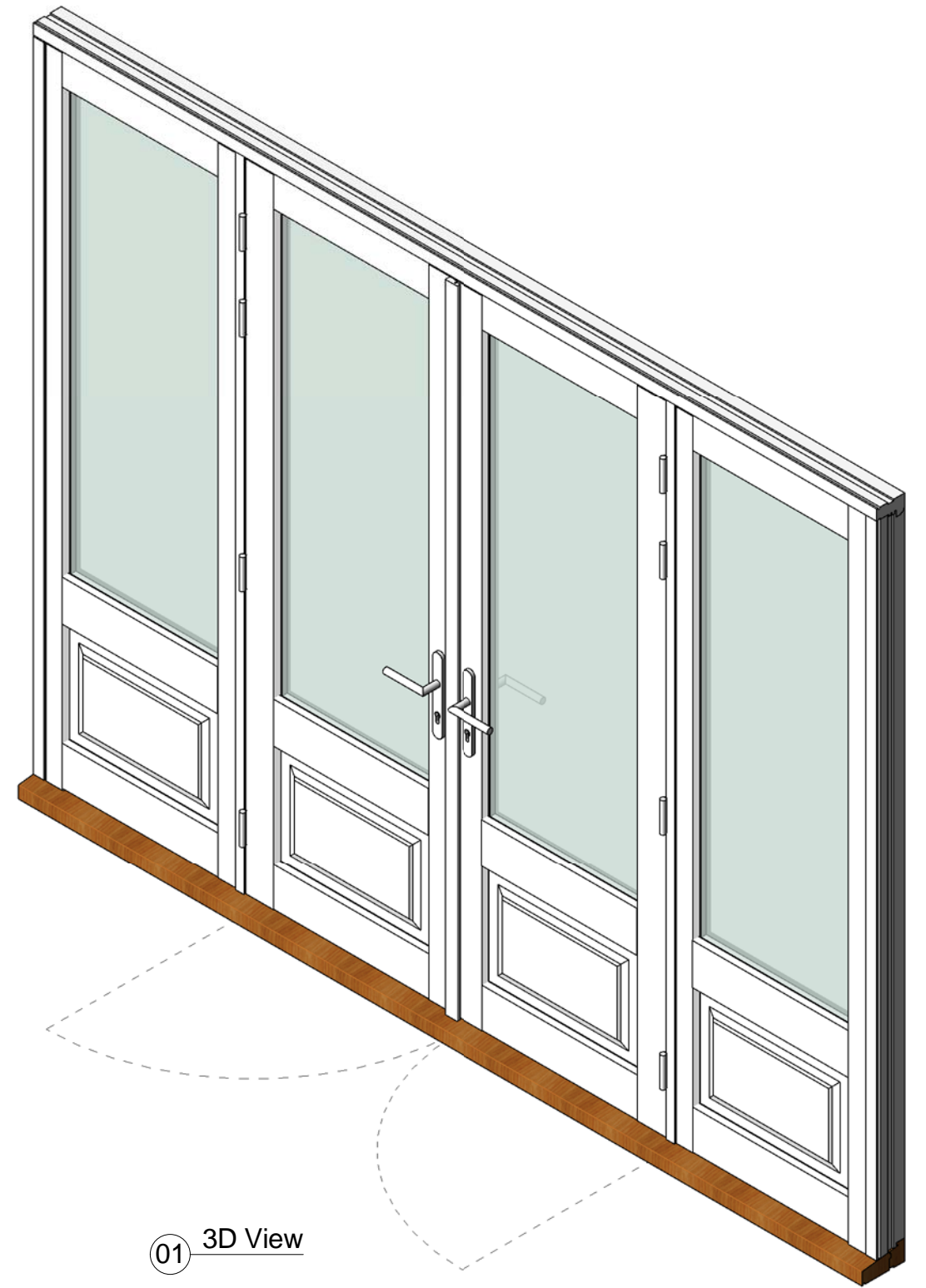
06 Head Detail  
1 : 5



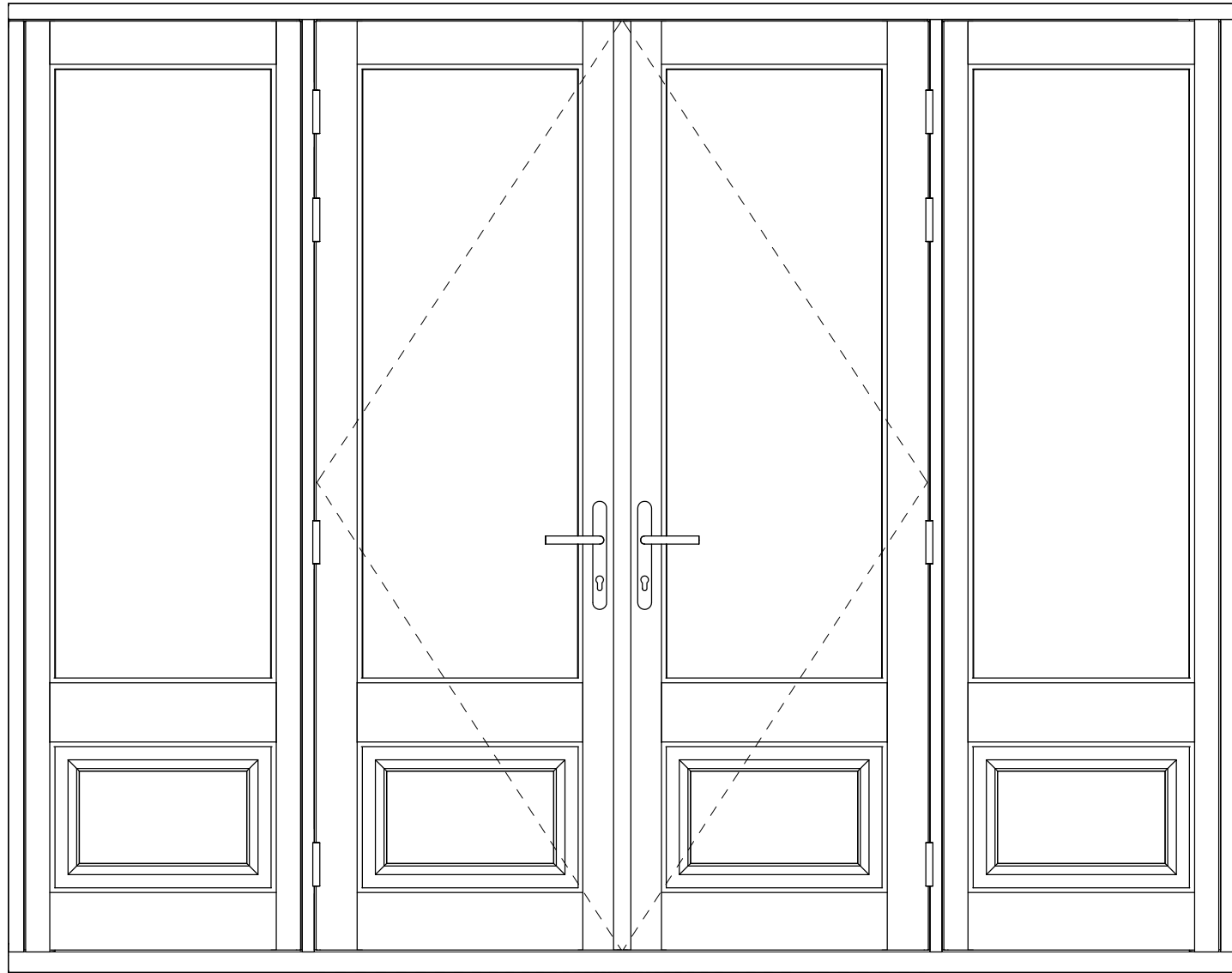
07 Mid Rail Detail  
1 : 5



08 Threshold Detail  
1 : 5




01 3D View



02 Elevation View  
1 : 15

Schedule	
Height	Width
2240	2840

NOTE! ELEVATION DRAWINGS VIEWED EXTERNALLY

 <p>Made-to-order timber windows and doors</p>	Drawing Number FDO11-S		Drawn By DH
	Scale 1:5 & 1:11 @ A4	Revision	Date 10/08/16
	Customer		
	Project Open Inward French Doorset		
T 01277 353857 <a href="http://www.lomaxwood.co.uk">www.lomaxwood.co.uk</a>		© COPYRIGHT 2016 LOMAX-WOOD. ALL RIGHTS RESERVED	