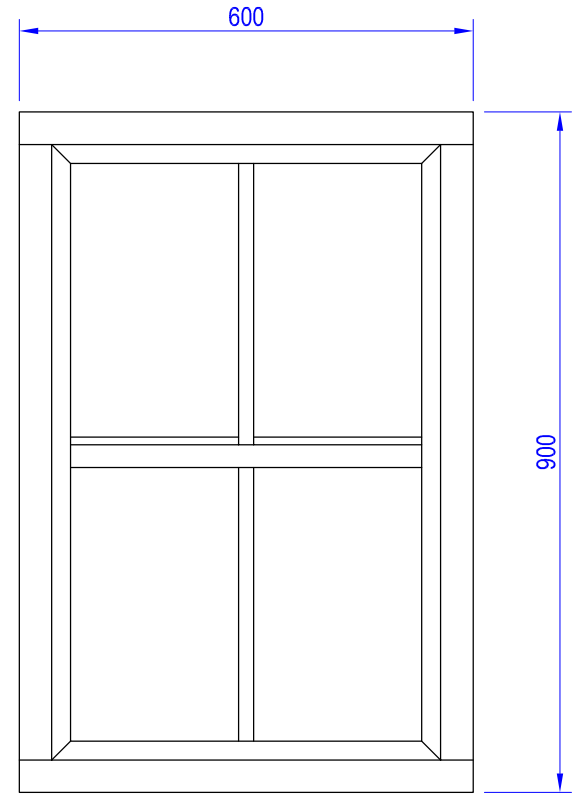
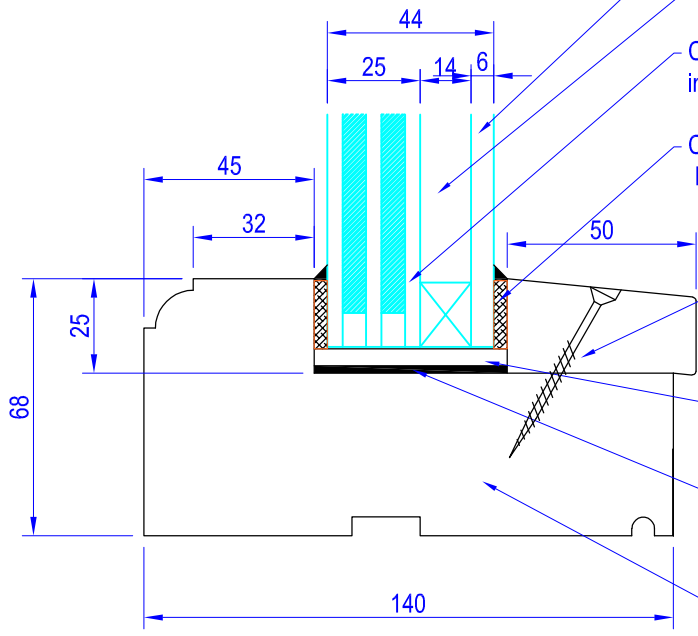



- 6mm Toughened Planitherm
- Argon Cavity
- Contraflam 60 Climaplus (integrity & insulation) (inner pane)
- Ceramic Tape, Fibrefrax (or equivalent), covered by silicone sealant
- Steel Screws 50mm Long @ 250mm centres (30 degree to glass). Countersunk into bead, filled in and painted
- Setting Block (x2) 44x5x8 (HARDWOOD) bottom only
- 28 x 2 Flaxplan 200
- Hardwood (min density 750 kg/m3)



NOTE! ELEVATION DRAWINGS VIEWED EXTERNALLY

		Drawing Number		Drawn By
		LW-FW-001		DH
Scale		Revision	Date	
1:2 & 1:10 @ A4		A	05/05/16	
Customer				
Project				
Fire Rated Casement (60/60)				
T 01277 353857		www.lomaxwood.co.uk		© COPYRIGHT 2016 LOMAX+WOOD. ALL RIGHTS RESERVED

Made-to-order
timber
windows
and doors

LOMAX
+WOOD